

**TetraFlow**<sup>®</sup>

# Fitting your needs.

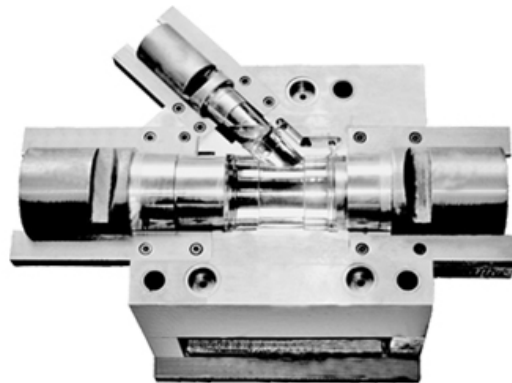
Delivering high quality plastic pipes, fittings and tooling world-wide.



# About TetraFlow

## Key Points

- TetraFlow is an established plumbing and drainage brand in the UK.
- With a multi-national outreach, TetraFlow continues to develop key partnerships with some of the largest plastic piping manufacturers and traders world-wide by delivering high quality moulds and fittings.
- Our fittings for pipes, gutters and electrical conduits are purchased by: manufacturers, independent buyers, plumbing merchants, electrical conduit suppliers, building material wholesalers and construction project developers.



# About TetraFlow

## We offer

- TetraFlow range of plastic pipe and fittings for Plumbing, Drainage, Rainwater and Electrical systems with are popular in the UK, mainland Europe, the Middle East, Asia, and Africa.
- Customised plastic pipe fittings designed and manufactured exclusively for you. We are currently working in PVC-U (UPVC), PVC-C (CPVC), PP and ABS
- R&D, technical design, mould servicing, and consulting services.



All your Fitting Needs  
Under One Roof



# About TetraFlow

## Who we are

- Manufacturers of high quality, economical plastic pipe fittings and moulds, with a range of PVC-U (unplasticised polyvinyl chloride) pipe fittings for plumbing, drainage and electrical applications
- TetraFlow's product range is equivalent to the relevant BS, EN and ISO standards, which include:
  - BS EN 1329 / BS EN 1401 / BS 4514 / BS EN 1451 / BS 5255 / BS 4660 / BS 4576 / BS 4607 / ISO 3633
- Manufacturing facilities certified by the British Standards Institute to operate to ISO 9001:2015 quality standards, our popular products are manufactured to the most stringent quality guidelines under the **BSI Kitemark** certification.
- TetraFlow is part of a 60-year-old multinational group of construction material manufacturing companies, spread across 4 different countries and employing many hundreds of people. Though significant in size, the group remains owner-driven and independent.

# Working with us

## Client Testimonial



*For many years, TetraFlow is a partner in design and a qualified supplier of high performance plastics. The partnership with Wavin Overseas encompasses product design, mould manufacture, and production of a range of Wavin-branded fittings in ABS material.*

*The cooperation with TetraFlow has shown to be professional in every stage, resulting in short time-to-market at competitive costs whilst maintaining the quality that Wavin Overseas requires.*

*By sending her products directly to Wavin Overseas' customers, TetraFlow has been able to shorten the supply chain and the time for delivery.*



*Working with TetraFlow has enhanced our strength in the market.*

**Harry Ammerlaan**

**Technology Director and Regional Manager**

**Wavin Overseas, The Netherlands**

All your Fitting Needs  
Under One Roof



**TetraFlow**<sup>®</sup>

**Pipes & Fittings, Tooling and Engineering Services**

**[info@tetraflow.co.uk](mailto:info@tetraflow.co.uk)**

**[www.tetraflow.co.uk](http://www.tetraflow.co.uk)**

This document is confidential and prepared solely for your information. Therefore you should not, without our prior written consent, refer to or use our name or this document for any other purpose, disclose them or refer to them in any prospectus or other document, or make them available or communicate them to any other party. No other party is entitled to rely on our document for any purpose whatsoever and thus we accept no liability to any other party who is shown or gains access to this document.